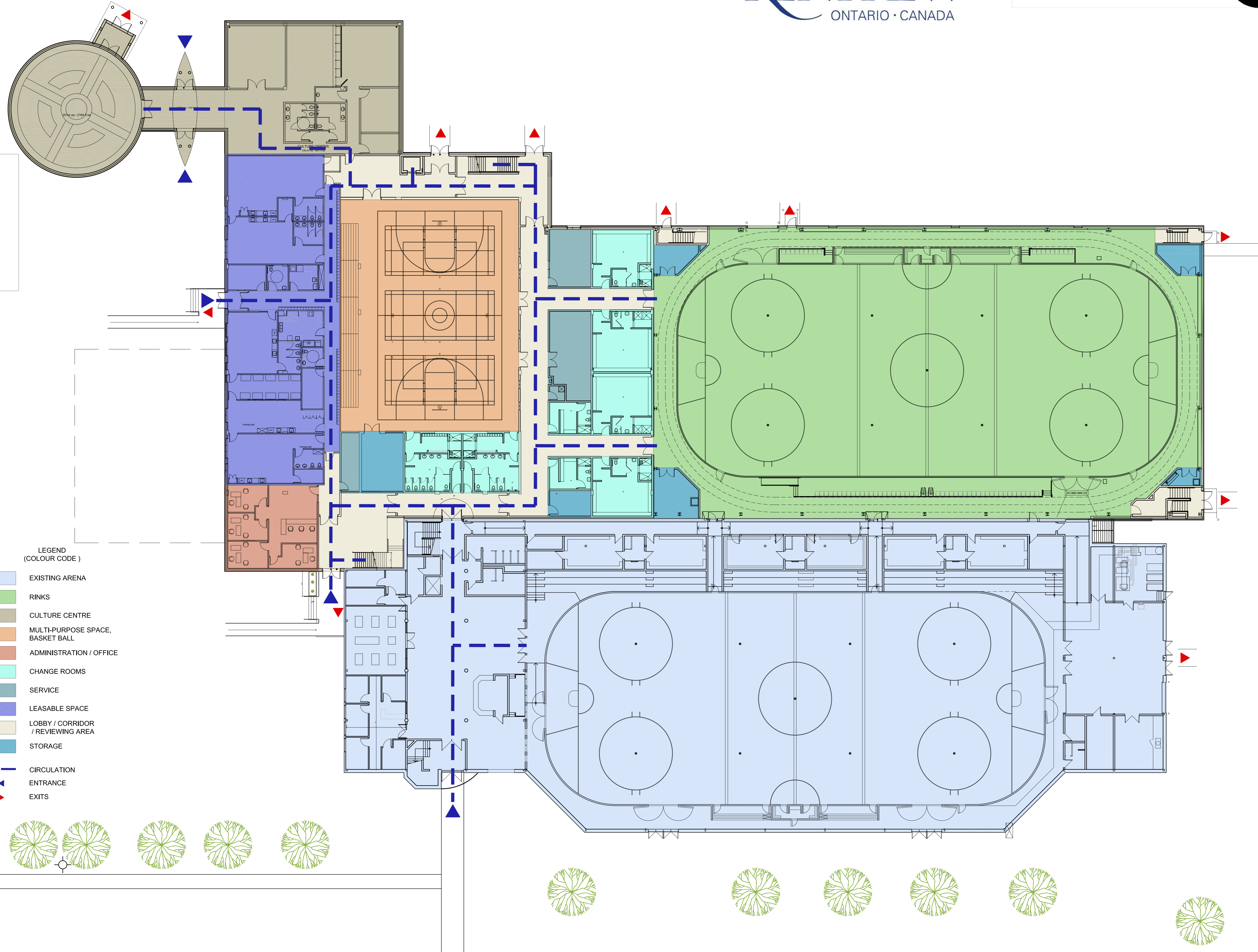


Canada

Town of
RENFREW
ONTARIO • CANADA

Ontario



- LEGEND
(COLOUR CODE)
- EXISTING ARENA
 - RINKS
 - CULTURE CENTRE
 - MULTI-PURPOSE SPACE, BASKET BALL
 - ADMINISTRATION / OFFICE
 - CHANGE ROOMS
 - SERVICE
 - LEASABLE SPACE
 - LOBBY / CORRIDOR / REVIEWING AREA
 - STORAGE
 - CIRCULATION
 - ENTRANCE
 - EXITS

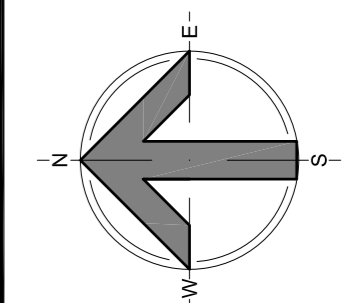
MA-TE-WAY ACTIVITY CENTRE EXPANSION PROJECT

GROUND FLOOR PLAN

no.	revision	date

N45 ARCHITECTURE INC.
71 Bank Street, 7th Floor - Ottawa, Ontario, K1P 5N2
tel. 613.224.0095 fax 613.224.9811

TOWN OF RENFREW
**MA-TE-WAY ACTIVITY CENTRE
EXPANSION PROJECT**
1 MA-TE-WAY PARK DRIVE
RENFREW, ONTARIO, CANADA
K 7 V 4 J 4

	seal
---	------

drawing title	
scale	drawn by
date	checked by
project number 17-230	drawing number A-101
CONTRACTOR TO VERIFY ALL DIMENSIONS AND NOTIFY THE ARCHITECT OF ANY DISCREPANCIES BEFORE WORK COMMENCES.	
DO NOT SCALE DRAWINGS	